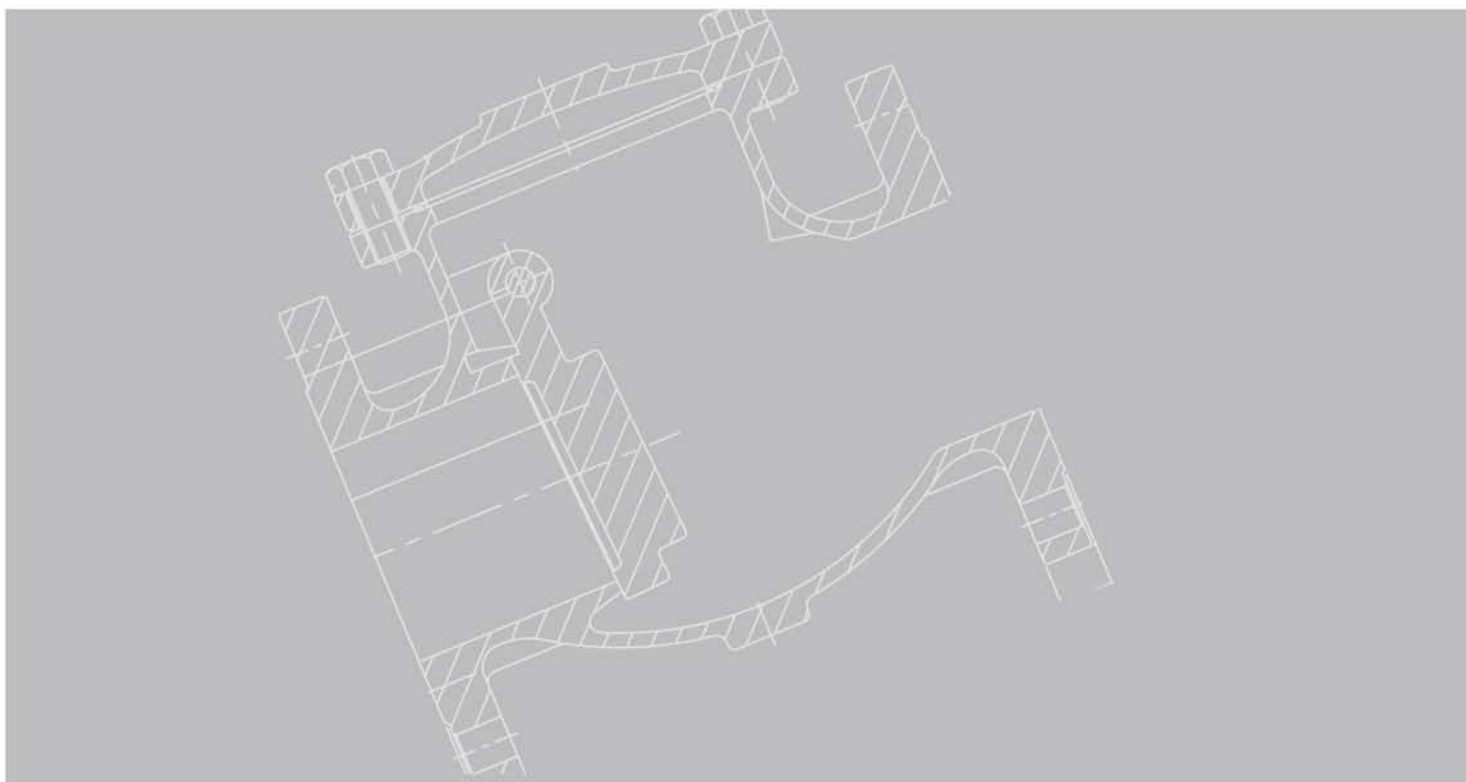


# Series #26116 > 150 # Flanged End Swing Check Valve

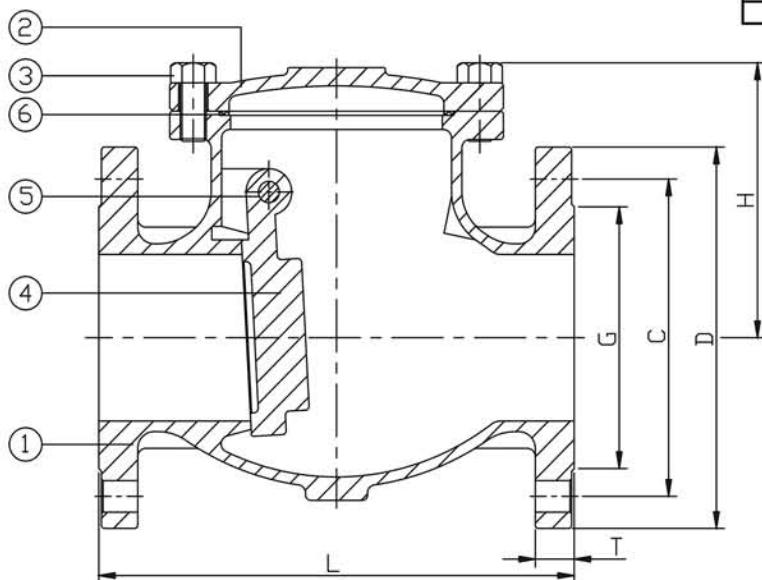


## Series #26116 > 150 # Flanged End Swing Check Valve

### Product Description

**Bolted Cover**  
**Swing Type**  
**For Horizontal or Vertical Lines**  
**Integral Seat**  
**Flanged Ends Conform to ANSI B16.5**  
 Face to Face: ANSI B16.10  
 Wall Thickness: ANSI B16.34  
**Test and Inspection to API 598**

NPS	L	H	D	C	G	T	Weight lb
1/2"	4.41	2.56	3.5	2.38	1.38	0.44	-
3/4"	4.92	2.76	3.86	2.76	1.69	0.44	-
1"	5.31	2.95	4.25	3.13	2.01	0.44	5.51
1-1/2"	6.5	4.21	5	3.88	2.87	0.56	10.58
2"	7.99	4.72	5.98	4.74	3.62	0.63	16.98
2-1/2"	8.5	5.31	7.01	5.49	4.13	0.69	25.35
3"	9.49	5.79	7.48	6	5	0.75	31.97
4"	11.5	6.65	9.02	7.5	6.18	0.94	61.73
5"	12.99	7.48	10	8.5	7.32	0.94	85.98
6"	14.02	8.39	10.98	9.51	8.5	1	105.82
8"	19.49	9.96	13.5	11.75	10.63	1.13	167.55
10"	24.49	10.98	15.98	14.25	12.76	1.19	-
12"	27.48	12.28	19.02	17.01	15	1.25	-



ITEM	PARTS	MATERIAL	
1	BODY	ASTM A351-CF8	ASTM A351-CF8M
2	COVER		
3	COVER BILT/NUT	ASTM A194-B8	
4	DISC		
5	PLUG	SUS304	SUS316
6	GASKET	PTFE(OR NO ASBESOTOS)	

151 Memorial Drive, Unit A  
 Shrewsbury MA 01545  
 Toll Free: 1-866-59SIMCO (866-597-4626)  
 Phone: 508-845-3300  
 Fax: 508-845-3304  
 info@simcovalve.com  
 www.simcovalve.com

