

SERIES #21276 > 200 # 316 Threaded Swing Check Valve

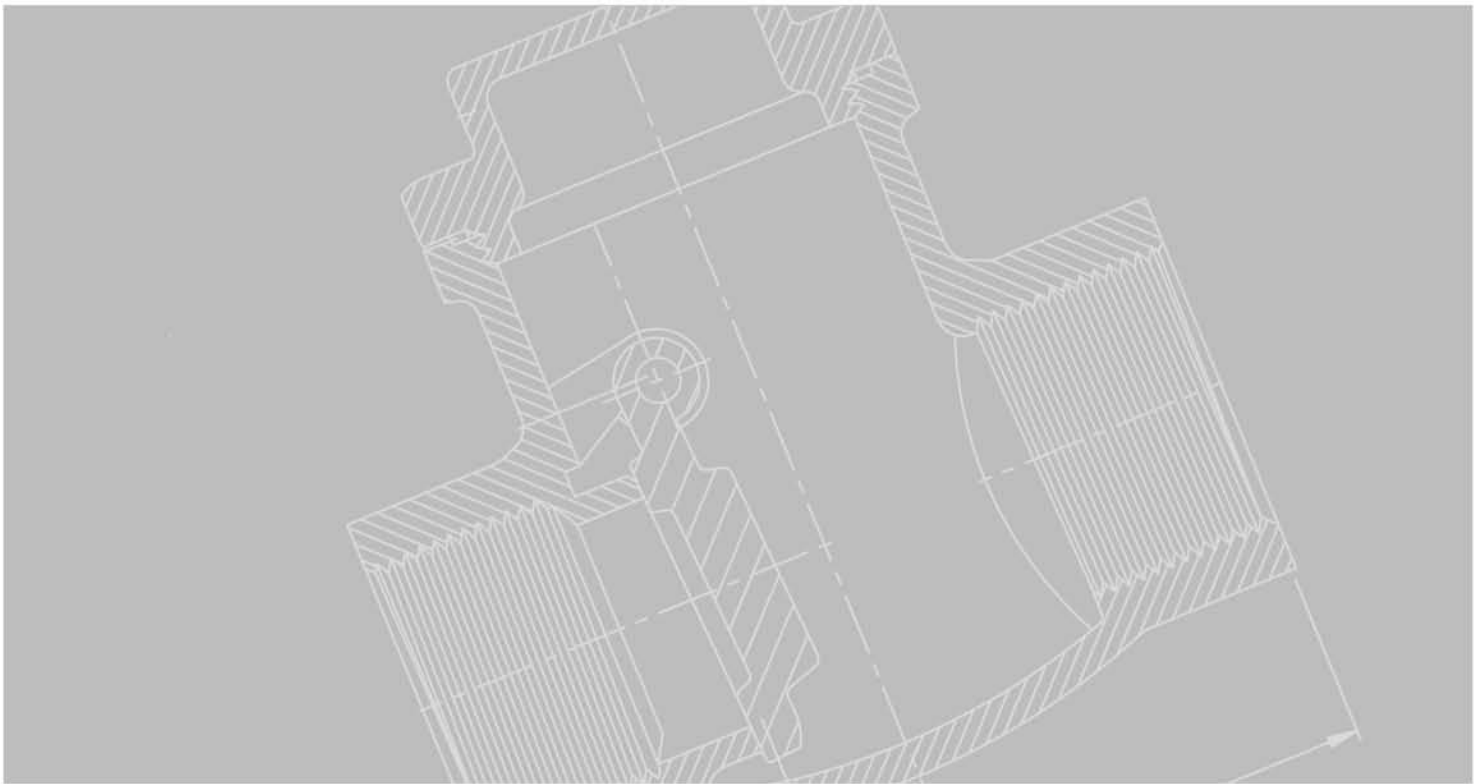
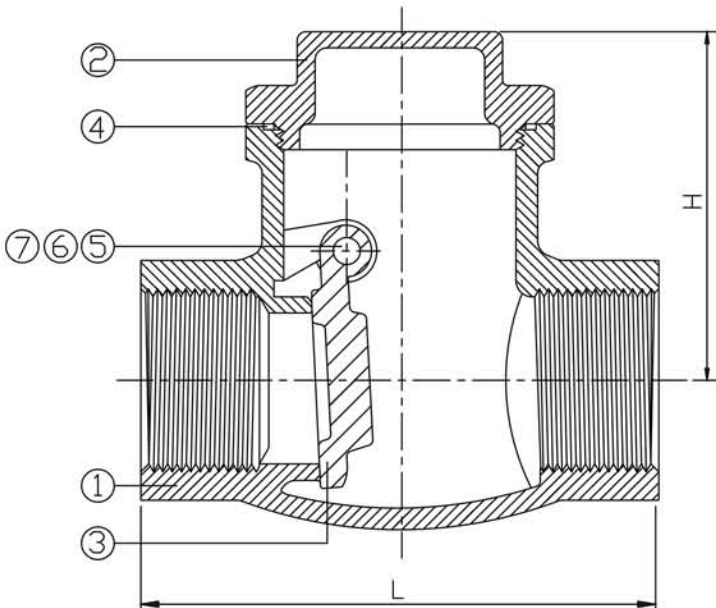


Figure # 21276 = 200#, 316, NPT, Swing Check Valve

Product Description

Investment Casting
 Screwed in cap
 Stainless Steel disc
 Threaded ends conform to ASME B1.27.1 (NPT)
 200 W.O.G.
 Maximum working temperature: 445°F
 Test and Inspection to API 598

ITEM	PARTS	MATERIAL
1	BODY	ASTM A351-CF8M
2	CAP	
3	DISC	
4	GASKET	PTFE
5	PLUG SEAL	
6	PLUG	AISI 316
7	PIN	



NPS	L	H	Weight (lb)
1/2"	2.56	1.63	0.55
3/4"	3.07	1.81	0.88
1"	3.50	1.93	1.21
1-1/4"	4.17	2.11	1.65
1-1/2"	4.69	2.30	2.31
2"	5.47	2.64	3.53

151 Memorial Drive, Suite A
 Shrewsbury MA 01545
 Toll Free: 1-866-59SIMCO (866-597-4626)
 Phone: 508-845-3300
 Fax: 508-845-3304
 info@simcovalve.com
 www.simcovalve.com

